


INSTALLATION PREPARATION

Read the instructions in this transducer guide completely to understand the mounting guidelines before starting the installation.

 **NOTE:** This transducer requires drilling a hole in the hull of the boat; therefore, installation should be performed by a qualified marine technician.

Review your boat manufacturer's owner's manual for recommended transducer installation locations and cable routing methods. You will also need your hull's deadrise angle.

Read and understand your boat's warranty before starting this installation.

Test Route the Cable Installation: Test route the transducer cable connector to the control head and confirm that the cable is long enough for the planned route. Your boat may have a pre-existing wiring channel or conduit that you can use for the transducer cable. See section **6: Route the Cable** for requirements. Your installation may require extension cables and hardware for routing the cable to the control head.

Visit our Web site at humminbird.com for additional information and resources for transducer installations. Also, visit youtube.com/humminbirdtv for informational videos.

Confirm your boat is level for the installation.

Supplies: In addition to the supplied hardware, you will need a drill, a small drill bit for the pilot hole, a 1 1/8" [2.8 cm] hole saw, a level, a Phillips-head screwdriver, and marine-grade silicone sealant.


INSTALLATION OVERVIEW

 **NOTE:** This type of transducer installation is not recommended for trailerable boats.

1 | Test the Transducer Prior to Installation

Prior to installation, test the transducer to make sure that no damage occurred during shipping.

1. Confirm the control head is connected to power. See your control head installation guide for instructions.
2. Connect the transducer cable connector to the transducer [or sonar] port on the control head. See section **7: Connect the Cable**.
3. **Power On:** Press the POWER key to turn on the control head.
If the transducer is detected, the control head will start Normal mode.
4. Select a 2D Sonar View to display on-screen.

 **NOTE:** See your control head operations manual for more information.

5. Lower the transducer into the water. [The transducer must be fully submerged because the sonar signal cannot pass through air and air pinging can damage the transducer].
If the bottom is visible on-screen with a digital depth readout, the transducer is working properly.
6. After confirming proper operation, power off the control head, and unplug the transducer cable connector from the control head.

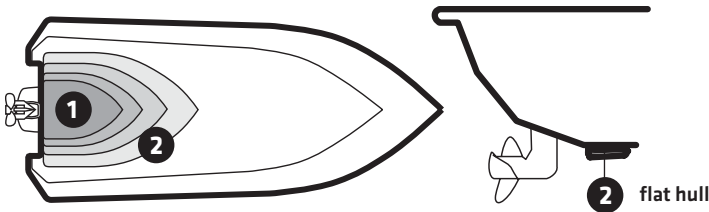
SIDE IMAGING® PLASTIC THRU-HULL TRANSDUCER

532551-3_A

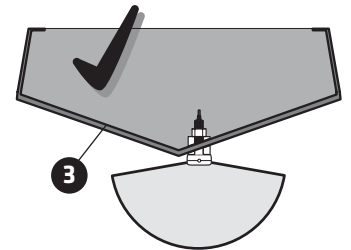
2 | Determine the Transducer Mounting Position

The Side Imaging transducer has specific mounting requirements. Consider the following to find the best mounting location for the transducer.

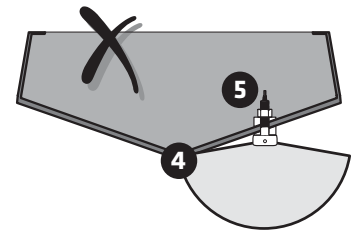
⚠ WARNING! Do NOT install the transducer in line with the engine intake.

Determining the Transducer Mounting Position


- 1** The best mounting location for the transducer is aft midship, as close to the centerline of the boat as possible.
 - 2** Make sure nothing is in front, behind, or to the side of the transducer that is closer than 12" [30.5 cm]. The transducer should be mounted forward of the propellers on inboard boats, and separated adequately from other transducers, strakes, rivet lines, or other protrusions on the boat.
 - 3** **Deadrise:** The transducer, when mounted, must be parallel with the waterline. If the selected mounting location has a hull deadrise of 2 degrees or greater, the included leveling block should be used to level the transducer housing and direct the sonar signal straight down.
 - 4** The Side Imaging transducer must NOT have anything obstructing the 'view' of the side looking beams. For example, nothing can be in the line of sight of these beams (not a hull, motor, or other transducer, etc.)
- 📝 NOTE:** Side Imaging sonar is best performed at boat speeds from 2 to 6 mph, and it is not recommended for high-speed operation [as gaps between strips of information can appear]. However, the transducer can support traditional 2D sonar and Down Imaging® sonar at higher speeds. Rough seas and air bubbles can also affect the reading of the Side Imaging transducer.
- 5** **Inside the Boat:** There must be room to access the mounting location for installation and cable routing. If you need to use the leveling block, make sure the inside surface of the hull is smooth enough to seat the leveling block securely.



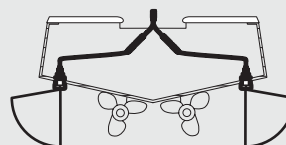
RECOMMENDED:
In the illustration, the transducer is close enough to the centerline so that the hull will not interfere with the Side Imaging beams.



NOT RECOMMENDED:
In the illustration, the transducer is too far from the centerline, and the hull is blocking the Side Imaging beams.

Installation Scenarios for Consideration:

- **Flat Hull, One Transducer:** Locate a flat area on the bottom of the hull, forward of where the propeller shaft comes out of the hull. Make sure there is nothing lower than this location to the right or left.
- **V-shaped Hull, Two Transducers:** Install two thru-hull transducers, one on each side of the V. Connect the transducers with a Y-Cable.
- **Two Back Engines, Two Transducers:** Install two thru-hull transducers outboard from the dual engines. Connect the transducers with a Y-Cable.

**V-shaped Hull, Two Transducers
OR
Two Back In-Board Engines,
Two Transducers**



📝 NOTE: Installations with two transducers require a Y-Cable [or Splitter Cable], which vary based on the control head model. To purchase a cable, visit our Web site at humminbird.com.


INSTALLATION

Perform the procedures in the following sections to install the transducer on your boat.

3 | Drill the Hole and Prepare the Leveling Block

Follow the instructions below for the installation type that matches your hull and deadrise.

 **CAUTION!** Use only the leveling block included with this transducer. Do NOT use a wooden leveling block, as any swelling of the wood might cause the plastic on the transducer to shatter.

 **NOTE:** A separately purchased fairing block can also be used to create a hydrodynamic waterflow around the transducer body. The design and fabrication of this block varies greatly with different hull shapes; therefore, it should be customized by a qualified marine technician.

Standard Installation (Flat Hull, Deadrise less than 2°):

For an installation that needs to minimize the impact of a small obstruction, but where the deadrise is less than 1 to 2 degrees, use the included leveling block (uncut), and mount it outside the hull.

1. From the outside of the hull, drill a small pilot hole (smaller than the centering bit of your drill bit or hole saw), at the mounting location you selected in section 2. **Drill the hole perpendicular to the hull.**
2. Use the pilot hole (from the outside of the hull) to drill a 1 1/8" (2.8 cm) hole that is sized to fit the threaded stem of the transducer. **Drill the hole perpendicular to the hull.**
3. Thoroughly clean and deburr the drilled hole and clean the outside of the hull.
4. The leveling block will be installed (uncut) on the outside of the hull. Proceed to Section **4: Attach the Transducer.**

Alternate Installation (Deadrise more than 2°):

For an installation where the deadrise is more than 2 degrees, use the included leveling block, cut at the appropriate angle, to compensate for the deadrise.

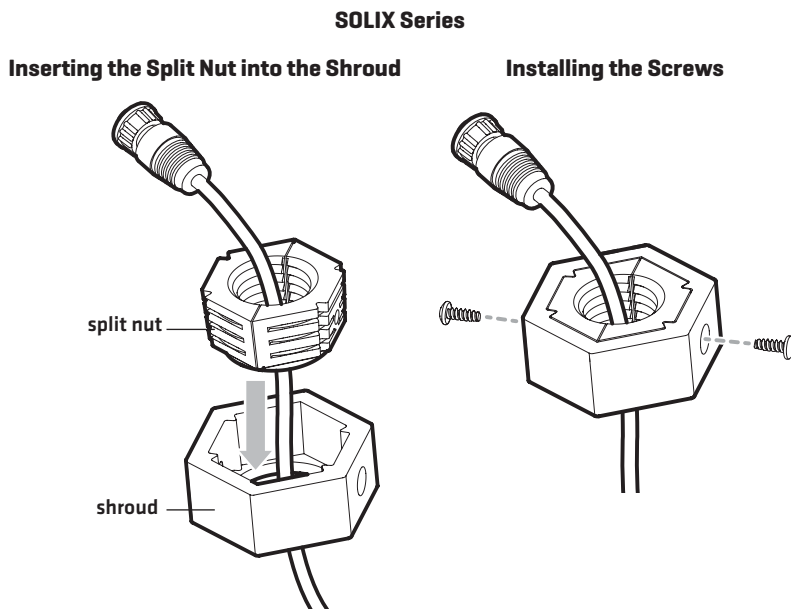
1. From the outside of the hull, drill a small pilot hole (smaller than the centering bit of your drill bit or hole saw), at the mounting location you selected in section 2. **Drill the hole perpendicular to the waterline.**
2. Use the pilot hole (from the outside of the hull) to drill a 1 1/8" (2.8 cm) hole that is sized to fit the threaded stem of the transducer. **Drill the hole perpendicular to the waterline.**
3. Thoroughly clean and deburr the drilled hole and clean the outside of the hull.
4. **If the hull angle is greater than 2 degrees**, cut the included leveling block and use both pieces to level the transducer. The block should be cut to match the angle of the deadrise of the hull.
 - Cut the leveling block into two equal pieces: one which mounts outside the hull and is shaped to match the profile of the transducer, and one which mounts inside the hull and provides a level surface for the fasteners.
 - The thinnest wall of the outside leveling block must be at least 1/8" (3 mm).
 - The leveling block included with your transducer can accommodate a maximum deadrise angle of 25 degrees.
5. The leveling block will be installed (cut) on the inside and outside of the hull. Proceed to Section **4: Attach the Transducer.**

4 | Attach the Transducer

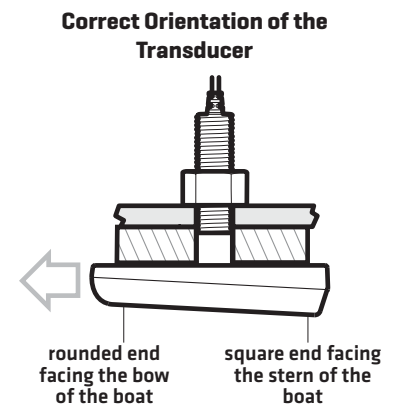
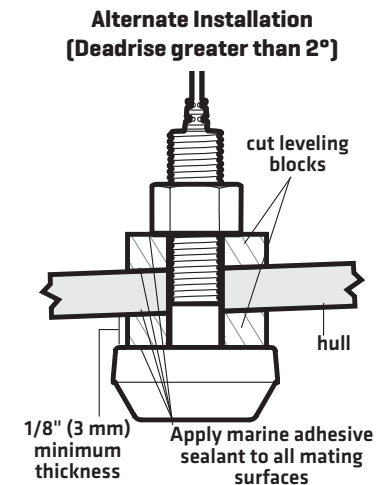
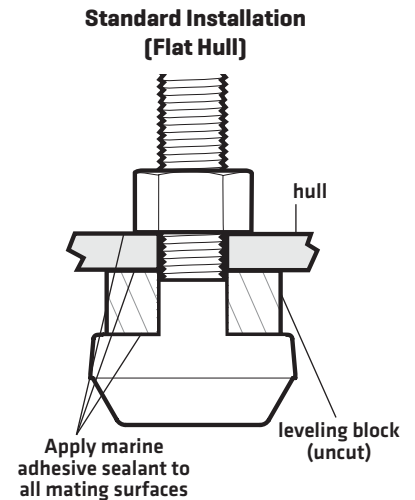
1. Feed the transducer cable through the drilled hole, then temporarily install the transducer to check the fit.
2. Apply a generous amount of marine-grade silicone sealant or slow-curing epoxy inside the drilled hole and along the mating surfaces of the transducer housing and leveling block.
3. Proceed to the instructions that correspond with your installation type (control head model) and transducer orientation.

SOLIX Series

1. Make sure the rounded end of the transducer is facing the bow, pointing forward, and parallel to the centerline.
2. Insert the transducer into the drilled hole from outside the boat with the leveling block(s) installed according to your installation type.
3. Hold the shroud horizontally with the inside teeth facing up. Thread the cable connector through the shroud. See the illustrations below.
4. Fit the split nut pieces to each other with the cable in the center. The ridged side of the split nut should face down.
5. Slide the split nut into the shroud so that the assembly is flat. Install the two screws into the shroud holes to secure the assembly. **Hand tighten only.**


HELIX Series

1. Make sure the rounded end of the transducer is facing the bow, pointing forward, and parallel to the centerline.
2. Insert the transducer into the drilled hole from outside the boat with the leveling block(s) installed according to your installation type, then install the nut onto the threaded stem from inside the boat.



SIDE IMAGING® PLASTIC THRU-HULL TRANSDUCER

532551-3_A

5 | Finish the Installation

1. Hand tighten the split nut onto the threaded transducer stem **ONLY** until the assembly is firmly seated, then tighten **NO MORE** than 1/8 of a turn extra.

⚠ WARNING! To avoid damage, do not overtighten the nut.

✍ NOTE: This type of transducer is directional in nature and must be aligned with the front of the boat [the direction of travel] and parallel to the centerline. Failure to align the transducer properly will result in incorrect bottom readings and incorrect fish locations. [See the illustrations for orientation].

2. Remove the excess adhesive sealant from the outside of the hull to ensure smooth water flow over the transducer.

6 | Route the Cable

The transducer cable must be routed to the point where the control head is mounted. Your boat may have a pre-existing wiring channel or conduit that you can use for the routing.

1. Route and secure the transducer cable connector to the control head, avoiding areas where it may be damaged or interfere with normal boating operations.

⚠ CAUTION! Do not cut or shorten the transducer cable, and try not to damage the cable insulation. Route the cable as far as possible from any VHF radio antenna cables or tachometer cables to reduce the possibility of interference. If the cable is too short, extension cables are available to extend the transducer cable up to a total of 50' [15 m]. For assistance, contact Humminbird Technical Support for more information.

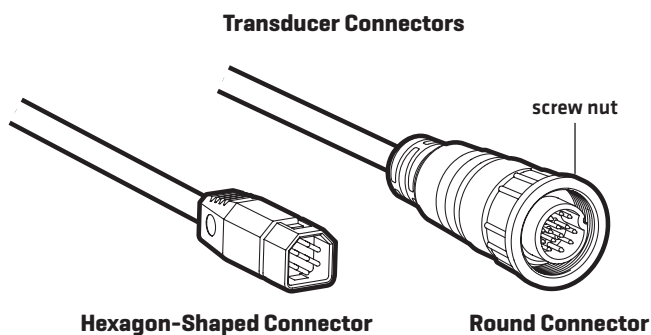
⚠ CAUTION! Do **NOT** mount the cables where the connectors could be submerged in water or flooded. If cables are installed in a splash-prone area, it may be helpful to apply dielectric grease to the inside of the connectors to prevent corrosion. Dielectric grease can be purchased separately from a general hardware or automotive store.

7 | Connect the Cable

1. Connect the transducer cable connector to the sonar port on the control head or cable tray [if applicable]. See your control head installation guide for details.

The ports are labeled and the connectors are keyed to prevent incorrect installation, so do not force the connector into the wrong port.

2. The control head will automatically detect the transducer and configure it with the control head. For additional configuration information, see your control head operations manual.



SIDE IMAGING® PLASTIC THRU-HULL TRANSDUCER


532551-3_A


MAINTENANCE


If your transducer remains in the water for long periods of time, slush, algae and other marine growth can reduce the effectiveness of the transducer. Periodically clean the face of the transducer with a mild, marine-safe and plastic-safe soap or solution.


If your transducer remains out of the water for a long period of time, it may take some time to wet the transducer after it is returned to the water. Small air bubbles can cling to the surface of the transducer and interfere with proper operation. These bubbles will dissipate with time, or you may wipe the face of the transducer with your fingers after the transducer is in the water.

IMPORTANT NOTICES

 **WARNING!** The transducer must be fully submerged in water during operation because the sonar signal cannot pass through air. Air pinging can damage the transducer.

 **NOTE:** Download Humminbird® installation guides and operations manuals from our Web site at humminbird.com.


 **NOTE:** Product specifications and features are subject to change without notice.

 **WARNING!** Disassembly and repair of this electronic unit should only be performed by authorized service personnel. Any modification of the serial number or attempt to repair the original equipment or accessories by unauthorized individuals will void the warranty. Product specifications and features are subject to change without notice.

ENVIRONMENTAL COMPLIANCE STATEMENT: It is the intention of Johnson Outdoors Marine Electronics, Inc. to be a responsible corporate citizen, operating in compliance with known and applicable environmental regulations, and a good neighbor in the communities where we make or sell our products.

WEEE DIRECTIVE: EU Directive 2002/96/EC "Waste of Electrical and Electronic Equipment Directive (WEEE)" impacts most distributors, sellers, and manufacturers of consumer electronics in the European Union. The WEEE Directive requires the producer of consumer electronics to take responsibility for the management of waste from their products to achieve environmentally responsible disposal during the product life cycle.

WEEE compliance may not be required in your location for electrical & electronic equipment (EEE), nor may it be required for EEE designed and intended as fixed or temporary installation in transportation vehicles such as automobiles, aircraft, and boats. In some European Union member states, these vehicles are considered outside of the scope of the Directive, and EEE for those applications can be considered excluded from the WEEE Directive requirement.

 This symbol [WEEE wheelee bin] on product indicates the product must not be disposed of with other household refuse. It must be disposed of and collected for recycling and recovery of waste EEE.

Johnson Outdoors Marine Electronics, Inc. will mark all EEE products in accordance with the WEEE Directive. It is our goal to comply in the collection, treatment, recovery, and environmentally sound disposal of those products; however, these requirements do vary within European Union member states. For more information about where you should dispose of your waste equipment for recycling and recovery and/or your European Union member state requirements, please contact your dealer or distributor from which your product was purchased.

TRANSDUCTEUR IMAGING EN PLASTIQUE À MONTER À L'INTÉRIEUR DE LA COQUE

532551-3_A

PRÉPARATION DE L'INSTALLATION

Lisez **complètement** les instructions de ce guide de transducteur pour comprendre les directives de montage avant de commencer l'installation.



REMARQUE : Ce transducteur requiert le perçage d'un trou dans la coque du bateau; l'installation doit donc être réalisée par un technicien maritime qualifié.

Consultez le manuel d'utilisation du fabricant de votre bateau pour connaître les emplacements d'installation des transducteurs recommandés et les méthodes d'acheminement des câbles. Vous aurez également besoin de l'angle de deadrise de votre coque.

Lisez et comprenez la garantie de votre bateau avant de commencer cette installation.


Tester la route du câble : Testez l'acheminement du connecteur du câble du transducteur à la tête de commande et confirmez que la longueur du câble est suffisante. Il se peut que votre bateau soit déjà muni d'une canalisation ou conduite de câblage, que vous pourriez utiliser pour acheminer le câble du transducteur. Voir la section **6, Acheminement du câble**, pour les exigences. Votre installation peut nécessiter des câbles d'extension et du matériel pour acheminer le câble vers la tête de commande.

Visitez notre site Web à humminbird.com pour plus d'informations et de ressources sur les installations de transducteurs. Visitez également [youtube.com/humminbirdtv](https://www.youtube.com/humminbirdtv) pour des vidéos d'information.

Confirmez que votre bateau est à niveau pour l'installation.

Matériel : En plus du matériel d'installation inclus, vous aurez besoin d'une perceuse, d'un foret de petite taille pour le trou de guidage, d'une scie-cloche de 2,8 cm [1 1/8 po], d'un niveau, d'un tournevis à pointe cruciforme et d'un agent d'étanchéité à base de silicone de qualité marine.

PRÉSENTATION DE L'INSTALLATION

 **REMARQUE :** Ce type d'installation de transducteur n'est pas recommandé pour les bateaux à remorquer.

1 | Tester le transducteur avant l'installation

Testez le transducteur avant l'installation pour vérifier qu'il n'a subi aucun dommage lors de la livraison.

1. Assurez-vous que la tête de commande est branchée à l'alimentation électrique. Consultez le guide d'installation de la tête de commande pour obtenir des instructions.
2. Branchez le connecteur du câble du transducteur sur la prise du transducteur (ou sonar) sur la tête de commande. Voir la section **7 : Brancher le câble**.
3. **Mise en marche :** Appuyez sur la touche Mise en marche [POWER] pour mettre la tête de commande en marche.
Le tête de commande active le mode de fonctionnement Normal si un transducteur est détecté.
4. Sélectionnez une vue sonar [2D] à afficher à l'écran.



REMARQUE : Consultez le guide d'utilisation de votre tête de commande.

5. Abaissez le transducteur dans l'eau. [Le transducteur doit être complètement immergée car le signal sonar ne peut pas passer à travers l'air et l'impulsion de l'air peut endommager le transducteur].

TRANSDUCTEUR IMAGING EN PLASTIQUE À MONTER À L'INTÉRIEUR DE LA COQUE

Si le fond et un indicateur numérique de la profondeur sont visibles à l'écran, c'est que l'appareil fonctionne adéquatement.

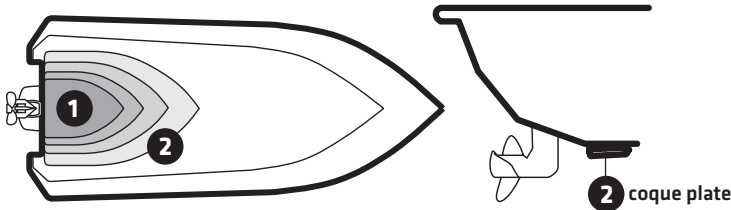
- Après avoir confirmé le bon fonctionnement, mettez la tête de commande hors tension et débranchez le connecteur du câble du transducteur de la tête de commande.

2 | Déterminer l'emplacement de montage du transducteur

La procédure de montage du transducteur à imagerie latérale a des exigences spécifiques. Examinez attentivement la section suivante pour trouver le meilleur emplacement de montage du transducteur.

⚠ AVERTISSEMENT ! NE PAS installer le transducteur sur la même ligne que l'entrée du moteur.

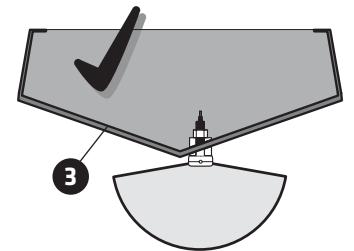
Déterminer l'emplacement de montage du transducteur



- 1** Le meilleur emplacement pour le transducteur est situé derrière le milieu du bateau, aussi près que possible de la ligne centrale du bateau.
- 2** Assurez-vous que rien ne se trouve à moins de 30,5 cm [12 po] devant, derrière ou sur les côtés du transducteur. Le transducteur doit être monté à l'avant des hélices sur les bateaux semi-hors-bord avec une séparation appropriée des autres transducteurs, virures, lignes de rivets ou autres protubérances.
- 3** Relevé de varangue : Le transducteur, lorsqu'il est monté, doit être parallèle à la ligne de flottaison. Si l'emplacement de montage sélectionné a un relevé de varangue d'un angle de 2 degrés ou supérieur, la cale doit être utilisée pour mettre le boîtier du transducteur à niveau et diriger le signal du sonar directement vers le bas.
- 4** Imagerie latérale : Il ne doit y avoir AUCUN obstacle obstruant les faisceaux latéraux, c'est-à-dire que rien ne doit se trouver dans le champ d'action de ces faisceaux (pas de coque, moteur, autre transducteur, etc.). Voir l'illustration ci-dessous.

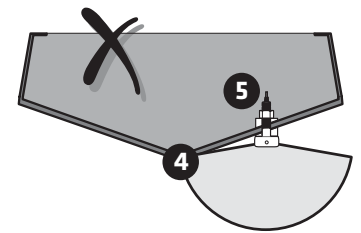
REMARQUE : La détection avec imagerie latérale est surtout utile à des vitesses de 3 à 10 km/h [2 à 6 mph]; elle n'est pas recommandée à haute vitesse car le système afficherait alors des vides entre les bandes de données. Le transducteur peut toutefois être utilisé à haute vitesse avec un sonar classique 2D ou avec un sonar à imagerie descendante. Une mer houleuse et les bulles d'air peuvent affecter les lectures du transducteur à imagerie latérale.

- 5** À l'intérieur du bateau : Prévoir suffisamment d'espace pour accéder à l'emplacement de montage afin de pouvoir effectuer l'installation et acheminer les câbles. Si vous devez utiliser le bloc de mise à niveau, assurez-vous que la surface intérieure de la coque est suffisamment lisse pour que le bloc de mise à niveau soit bien fixé.



RECOMMANDÉ :

Sur l'illustration, le transducteur est suffisamment proche de la ligne centrale de sorte que la coque ne gênera pas les faisceaux d'imagerie latérale.



NON RECOMMANDÉ :

Sur l'illustration, le transducteur est trop éloigné de la ligne centrale et la coque bloque les faisceaux d'imagerie latérale.

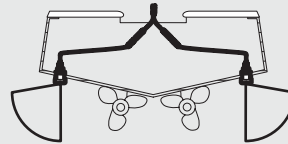
TRANSDUCTEUR IMAGING EN PLASTIQUE À MONTER À L'INTÉRIEUR DE LA COQUE


532551-3_A


Scénarios d'installation pour référence :

- **Coque à fond plat, un transducteur:** Localisez une surface plate sur le bas de la coque, devant le trou d'où sort l'arbre de transmission. Assurez-vous que rien ne se trouve plus bas que cet emplacement à gauche et à droite.
- **Coque en V, deux transducteurs:** Installez deux transducteurs à l'intérieur de la coque, un de chaque côté du V. Raccordez les transducteurs à l'aide d'un câble en Y.
- **Deux moteurs arrière, deux transducteurs:** Installez deux transducteurs à l'intérieur de la coque du côté extérieur des deux moteurs. Raccordez les transducteurs à l'aide d'un câble en Y.

**Coque en V, deux
transducteurs
OU
deux moteurs intérieurs
arrière, deux transducteurs**



 **REMARQUE :** Les installations avec deux transducteurs requièrent un câble en Y (ou un Splitter Cable), qui varie en fonction du modèle de la tête de commande. Pour acheter un câble, visitez notre site Web à l'adresse humminbird.com.


 **REMARQUE :** Le câble en Y, les extensions et les transducteurs à l'intérieur de la coque additionnels doivent être achetés séparément. Contactez le service à la clientèle pour obtenir plus d'informations.


INSTALLATION

Effectuez les procédures dans les sections suivantes pour installer le transducteur votre bateau.

3 | Perçage du trou et préparation de la cale

Suivez les instructions ci-dessous pour le type d'installation correspondant à votre coque et relevé de varangue.

 **MISE EN GARDE !** Utiliser uniquement la cale fournie avec ce transducteur. NE PAS utiliser de cale en bois, car un gonflement du bois risquerait de briser le plastique sur le transducteur. Des cales de rechange sont disponibles auprès du service à la clientèle.

 **REMARQUE :** Un carénage disponible séparément peut également être utilisé pour créer un écoulement hydrodynamique de l'eau autour du corps du transducteur. La conception et la fabrication de ce carénage varie fortement en fonction de la forme de la coque; par conséquent, il doit être construit sur mesure par un technicien maritime qualifié.

Installation standard [coque à fond plat, relevé de varangue à moins de 2°] :

Dans le cas d'une installation où il est nécessaire de minimiser l'impact d'une petite obstruction, mais où l'angle du relevé de varangue est inférieur à 1-2 degrés, utilisez la cale (non coupée) incluse et montez-la à l'extérieur de la coque.

1. Depuis l'extérieur de la coque, percez un petit trou de guidage (plus petit que la pointe de centrage de votre perceuse ou scie-cloche) à l'emplacement de montage sélectionné à la section 2. **Percez le trou perpendiculairement à la coque.**
2. Utilisez le trou de guidage (depuis l'extérieur de la coque) pour percer un trou de 2,8 cm [1 1/8 po] adapté à la tige filetée du transducteur. **Percez le trou perpendiculairement à la coque.**
3. Nettoyez et ébavurez soigneusement le trou percé et nettoyez l'extérieur de la coque.
4. La cale sera installée (non coupée) à l'extérieur de la coque. Passez à la section 4, **Fixation du transducteur.**

TRANSDUCTEUR IMAGING EN PLASTIQUE À MONTER À L'INTÉRIEUR DE LA COQUE

Installation alternative [relevé de varangue à plus de 2°] :

Dans le cas d'une installation où l'angle du relevé de varangue est supérieur à 2 degrés, utilisez la cale incluse et coupez-la à l'angle approprié pour compenser l'angle du relevé de varangue.

1. Depuis l'extérieur de la coque, percez un petit trou de guidage [plus petit que la pointe de centrage de votre perceuse ou scie-cloche] à l'emplacement de montage sélectionné à la section 2. **Percez le trou perpendiculairement à la ligne de flottaison.**
2. Utilisez le trou de guidage [depuis l'extérieur de la coque] pour percer un trou de 2,8 cm [1 1/8 po] adapté à la tige filetée du transducteur. **Percez le trou perpendiculairement à la ligne de flottaison.**
3. Nettoyez et ébavurez soigneusement le trou percé et nettoyez l'extérieur de la coque.
4. **Si l'angle de la coque est supérieur à 2 degrés**, coupez la cale incluse et utilisez les deux pièces pour mettre le transducteur à niveau. La cale doit être coupée de sorte à correspondre à l'angle du relevé de varangue.
 - Coupez la cale en deux parties égales : une partie est montée à l'extérieur de la coque et sa forme est adaptée au profil du transducteur, et l'autre partie est montée à l'intérieur de la coque et fournit une surface à niveau pour les dispositifs de fixation.
 - La paroi la plus fine de la cale extérieure doit être de 3 mm [1/8 po] au moins.
 - La cale incluse avec votre transducteur peut accommoder un angle de relevé de varangue maximal de 25 degrés.
5. La cale [coupée] sera installée à l'intérieur et à l'extérieur de la coque. Passez à la section 4, **Fixation du transducteur.**

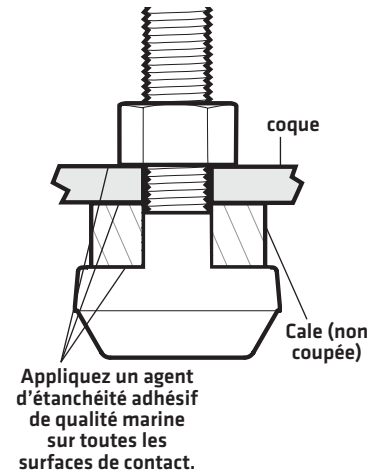
4 | Fixation du transducteur

1. Faites passer le câble du transducteur à travers le trou percé, puis installez provisoirement le transducteur pour vérifier le positionnement.
2. Appliquez une quantité généreuse d'agent d'étanchéité à base de silicone de qualité marine ou d'adhésif époxyde à durcissement lent à l'intérieur du trou percé et le long des surfaces de contact entre le boîtier du transducteur et la cale.
3. Reportez-vous aux instructions correspondant à votre type d'installation [modèle de tête de commande] et orientation du transducteur.

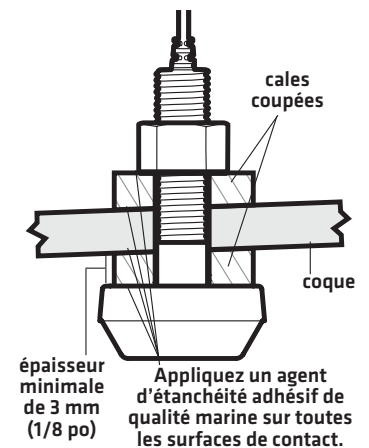
Série SOLIX

1. Assurez-vous que l'extrémité arrondie du transducteur est orientée vers la proue [avant du bateau] et parallèle à la ligne centrale.
2. Insérez le transducteur dans le trou percé depuis l'extérieur du bateau, avec la ou les cales installées conformément à votre type d'installation.
3. Tenez le carénage à l'horizontale avec les dents intérieures orientées vers le haut. Acheminez le connecteur du câble dans le carénage. Voir les illustrations ci-dessous.
4. Assemblez les parties du demi-écrou avec le câble au centre. Le côté strié du demi-écrou doit être orienté vers le bas.
5. Glissez le demi-écrou dans le carénage de sorte que l'assemblage soit plat. Installez les deux vis dans les trous du carénage pour attacher l'ensemble. Serrez les vis à la main seulement.

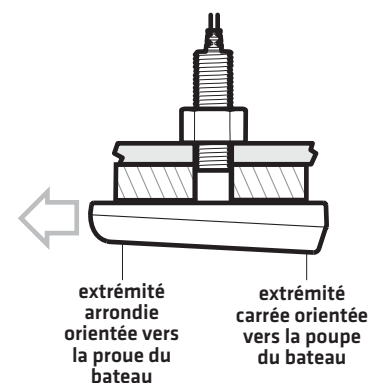
Installation standard (coque à fond plat)



Installation alternative (relevé de varangue à plus de 2°)



Bonne orientation du transducteur

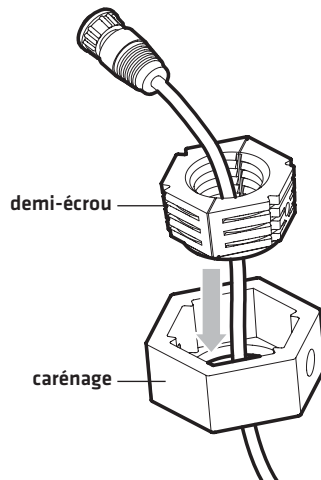


TRANSDUCTEUR IMAGING EN PLASTIQUE À MONTER À L'INTÉRIEUR DE LA COQUE

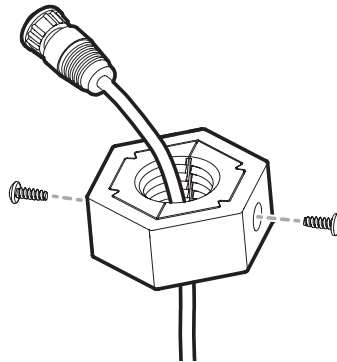
532551-3_A

Série SOLIX

Insertion du demi-écrou dans le carénage



Installation des vis



Série HELIX

1. Assurez-vous que l'extrémité arrondie du transducteur est orientée vers la proue [avant du bateau] et parallèle à la ligne centrale.
2. Insérez le transducteur dans le trou percé depuis l'extérieur du bateau, avec la ou les cales installées conformément à votre type d'installation, puis installez l'écrou sur la tige filetée depuis l'intérieur du bateau.

5 | Fin de l'installation

1. Ne serrez le demi-écrou à la main sur la tige filetée du transducteur QUE lorsque l'assemblage est fermement attaché, puis ne serrez PAS PLUS qu'un 1/8 de tour supplémentaire.



AVERTISSEMENT ! Pour éviter tout dommage, NE PAS serrer excessivement l'écrou.



REMARQUE : Ce type de transducteur est directionnel par nature et il doit être aligné avec l'avant du bateau [directement de déplacement] et parallèle à la ligne centrale. Un mauvais alignement du transducteur entraînera une lecture incorrecte du fond et de la position des poissons. [Reportez-vous aux illustrations pour l'orientation.]

2. Retirez tout excès d'agent d'étanchéité à l'extérieur de la coque pour assurer un écoulement régulier de l'eau par-dessus le transducteur.

6 | Acheminement du câble

Le câble du transducteur doit être acheminé au point de montage de la tête de commande. Il se peut que votre bateau soit déjà muni d'une canalisation ou conduite de câblage, que vous pourriez utiliser pour acheminer le câble du transducteur.

1. Acheminez et fixez le connecteur du câble du transducteur vers la tête de commande, en évitant les zones où il pourrait être endommagé ou gêner les opérations de navigation normales.



MISE EN GARDE ! Ne coupez pas le câble du transducteur pour le raccourcir et essayez de ne pas endommager le revêtement isolateur du câble. Gardez le câble le plus à l'écart possible de tout câble d'antenne de radio VHF ou de câble de tachymètre, afin de limiter les possibilités d'interférence. Si le câble du transducteur est trop court, vous pouvez vous procurer des rallonges pour le prolonger jusqu'à une longueur totale de 15 m [50 pi]. Pour obtenir de l'aide, contactez le support technique Humminbird.

TRANSDUCTEUR IMAGING EN PLASTIQUE À MONTER À L'INTÉRIEUR DE LA COQUE

⚠ MISE EN GARDE ! Ne montez PAS les câbles dans un endroit où les connecteurs pourraient être submergés. Si les câbles sont installés dans une zone où des éclaboussures sont possibles, il est préférable d'appliquer de la graisse diélectrique sur l'intérieur des connecteurs pour éviter la corrosion. Vous pouvez acheter la graisse diélectrique séparément dans une quincaillerie ou un magasin d'équipement automobile.

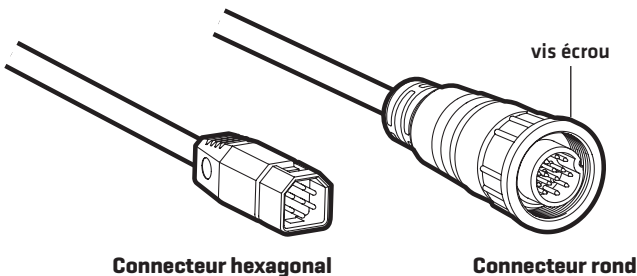
7 | Brancher le câble

1. Branchez le câble du transducteur au port sonar sur la tête de commande ou le plateau de câblage (le cas échéant). Consultez votre commande guide d'installation de la tête pour plus de détails.

Les prises sont étiquetées et les connecteurs des câbles sont clavetés afin de prévenir une mauvaise installation. Assurez-vous de ne pas forcer sur un connecteur pour l'installer dans une mauvaise prise.

2. La tête de commande détectera et configurera automatiquement le transducteur. Pour en savoir plus sur la configuration, consultez le guide d'utilisation de la tête de commande.

Connecteurs du transducteur



ENTRETIEN

Si le transducteur demeure à l'eau pendant de longues périodes, les salissures peuvent réduire l'efficacité du transducteur. Nettoyez périodiquement la façade du transducteur avec un savon ou liquide doux et sans danger pour le plastique et pour le milieu biologique marin.

Si le transducteur est sorti de l'eau pendant une période prolongée, il faut le laisser reposer un certain temps après l'avoir remis dans l'eau. De petites bulles d'air peuvent adhérer à la surface du transducteur et gêner son fonctionnement. Ces bulles se dissipent avec le temps; vous pouvez également essuyer la surface du transducteur avec les doigts après l'avoir remis dans l'eau.

AVIS IMPORTANTS

⚠ AVERTISSEMENT ! Le transducteur doit être complètement submergé dans l'eau pendant le fonctionnement car le signal du sonar ne peut pas traverser l'air. Un cliquetis d'air peut endommager le transducteur.

📄 REMARQUE : Les guides d'utilisation et d'installation sont téléchargeables sur notre site Web à l'adresse humminbird.com.

📄 REMARQUE : Les caractéristiques et spécifications de ce produit peuvent être modifiées sans préavis.

⚠ AVERTISSEMENT ! La réparation et le démontage de cet appareil électronique doivent être effectués uniquement par un personnel d'entretien autorisé. Toute modification du numéro de série ou réparation par un personnel non autorisé entraînera l'annulation de la garantie.

DÉCLARATION DE CONFORMITÉ AVEC L'ENVIRONNEMENT : Johnson Outdoors Marine Electronics, Inc. entend agir en de façon responsable, et respecter la réglementation environnementales connues et applicables et la politique de bon voisinage des communautés où elle fabrique et vend ses produits.

DIRECTIVE DEEE : La directive EU 2002/96/CE sur les « déchets d'équipements électriques et électroniques [DEEE] » concerne la plupart des distributeurs, vendeurs et fabricants d'équipements électroniques grand public dans l'Union européenne. La directive DEEE requiert que le producteur d'équipements électroniques grand public prenne en charge la gestion des déchets de leurs produits et mettent en œuvre leur élimination en respectant l'environnement, pendant le cycle de vie du produit.

Il est possible que la conformité à la directive DEEE ne soit pas requise sur le site pour les équipements électriques et électroniques [EEE], ou pour les équipements EEE conçus et destinés à des installations temporaires ou fixes sur les véhicules de transport tels que les automobiles, les aéronefs ou les bateaux. Dans certains pays membres de l'Union européenne, ces véhicules n'entrent pas dans le domaine d'application de la directive, et les EEE pour ces applications peuvent être considérés exclus de la conformité à la directive WEEE.

♻ Ce symbole [poubelle DEEE] figurant sur le produit indique qu'il ne doit pas être mis au rebut avec les autres déchets ménagers. Il doit être éliminé et recueilli pour le recyclage et la récupération des équipements EEE à mettre au rebut. Johnson Outdoors Marine Electronics, Inc. marque tous les produits EEE conformément à la directive DEEE. Notre but est de respecter les directives sur la collecte, le traitement, la récupération et la mise au rebut de ces produits en respectant l'environnement ; ces exigences varient toutefois d'un état membre à l'autre de l'Union européenne. Pour obtenir d'autres renseignements sur les sites d'élimination des déchets d'équipements en vue de leur recyclage et de leur récupération et/ou sur les exigences des états membres de l'Union européenne, renseignez-vous auprès du distributeur ou du lieu d'achat de votre produit.