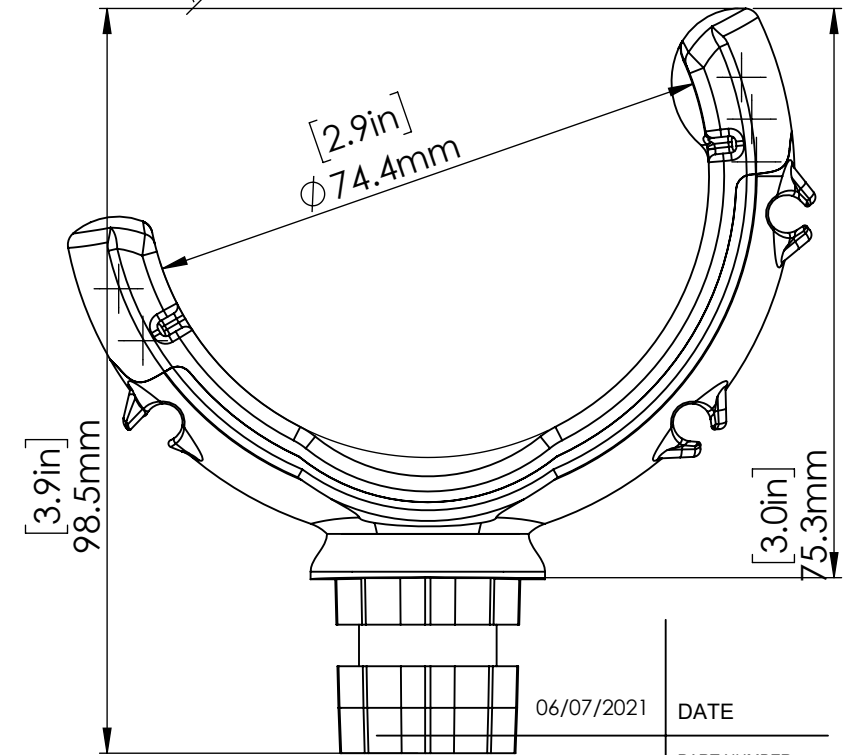
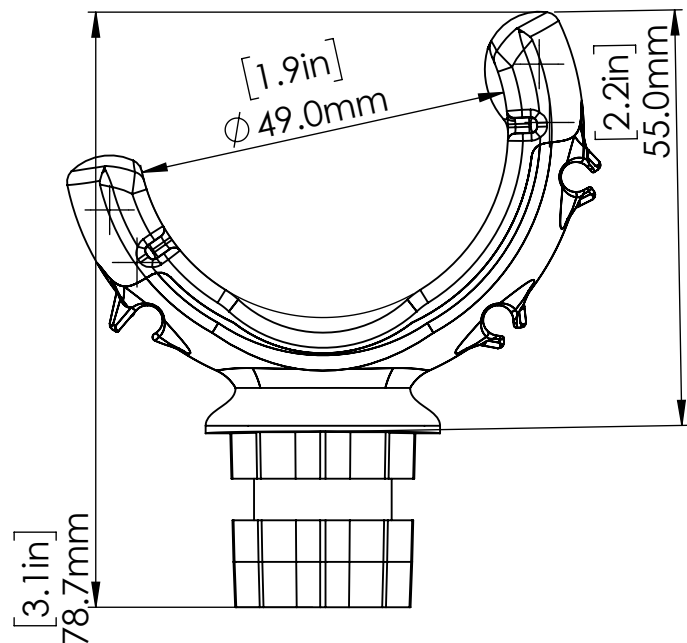
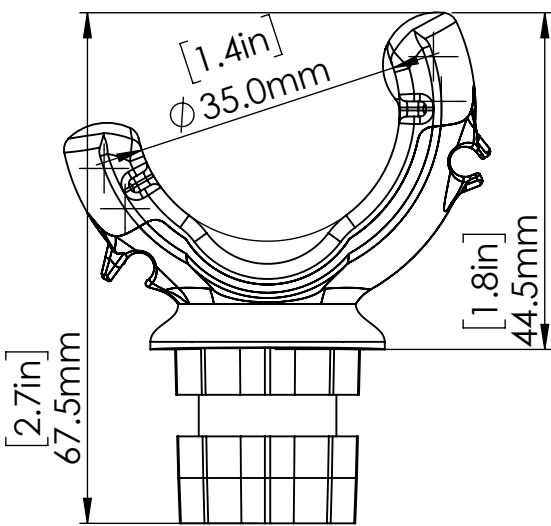
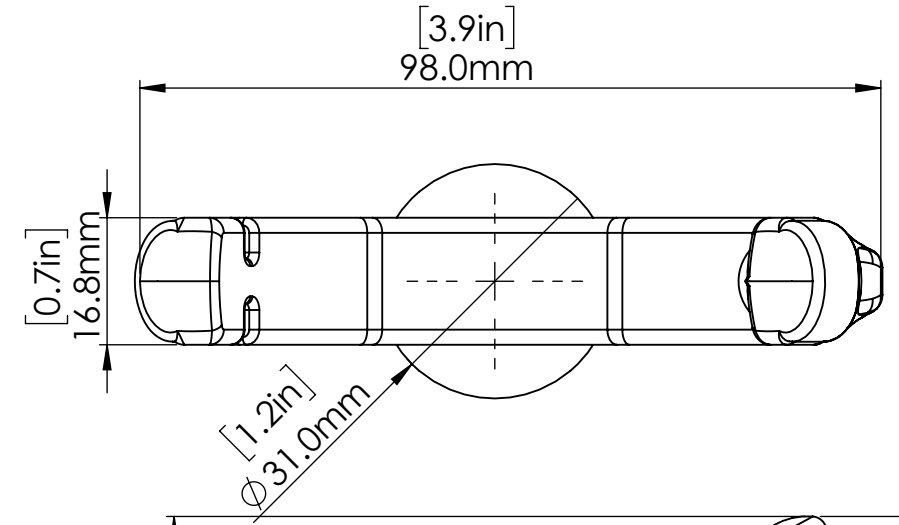
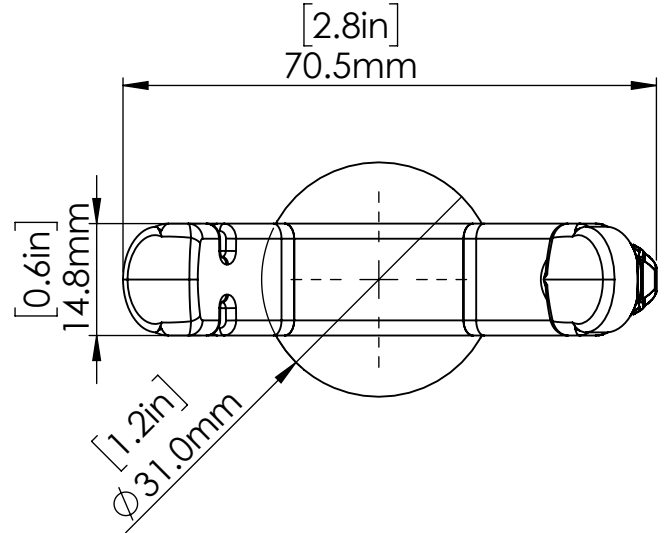
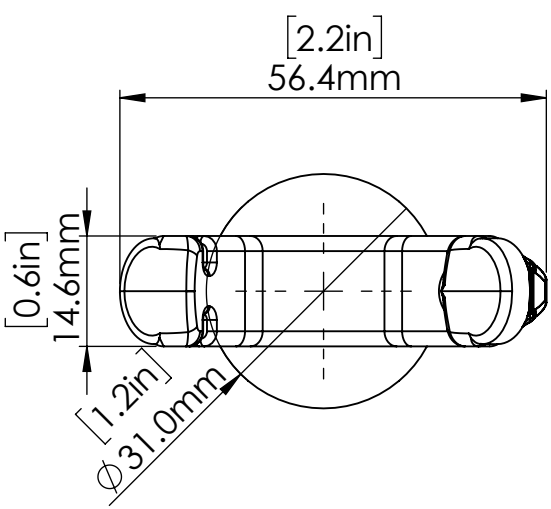


G-HOLD



02-4026-11
G-HOLD 35mm (1 3/8")

02-4027-11
G-HOLD 50mm (2")

02-4028-11
G-HOLD 75mm (3")

06/07/2021 DATE

PART NUMBER